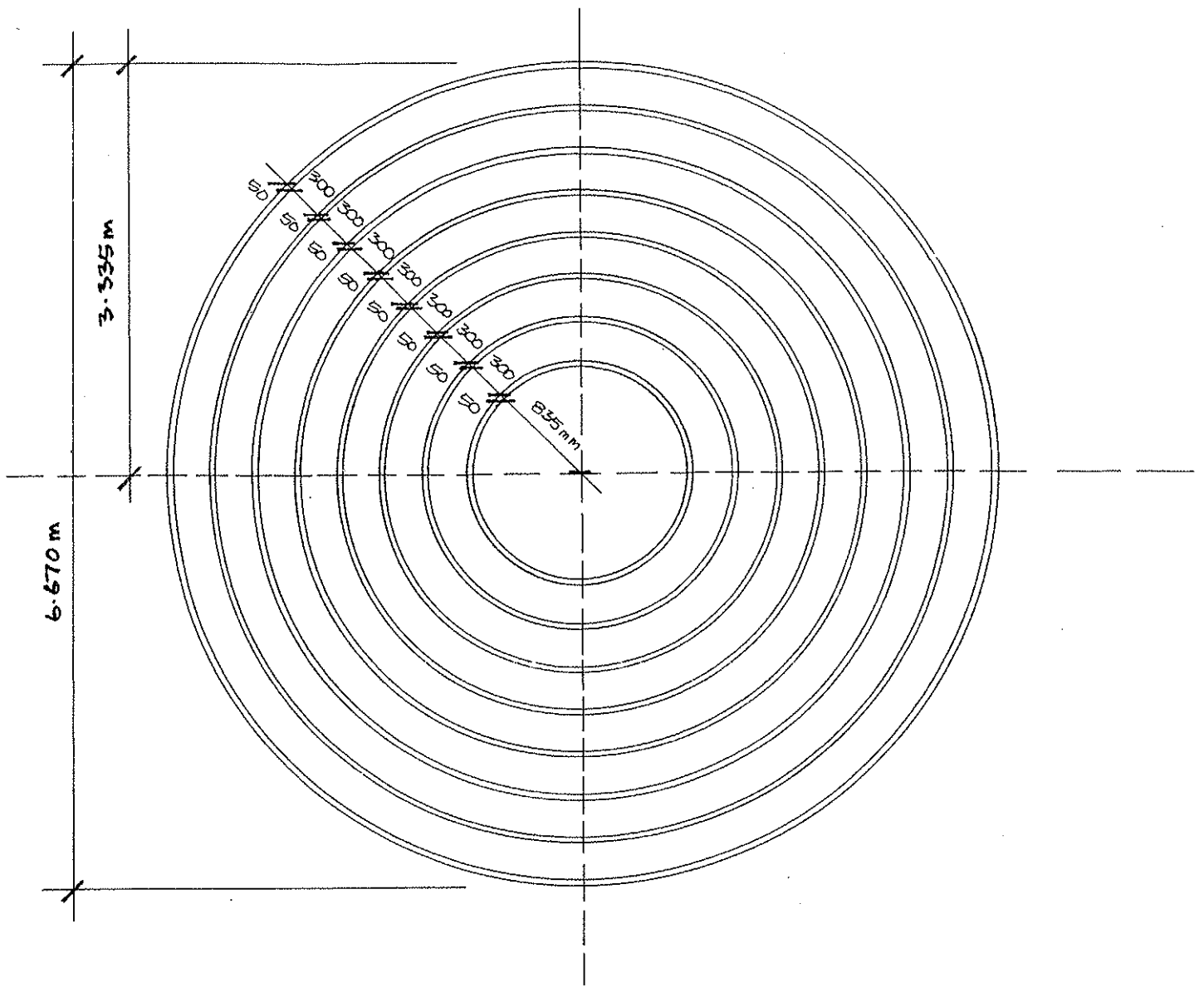


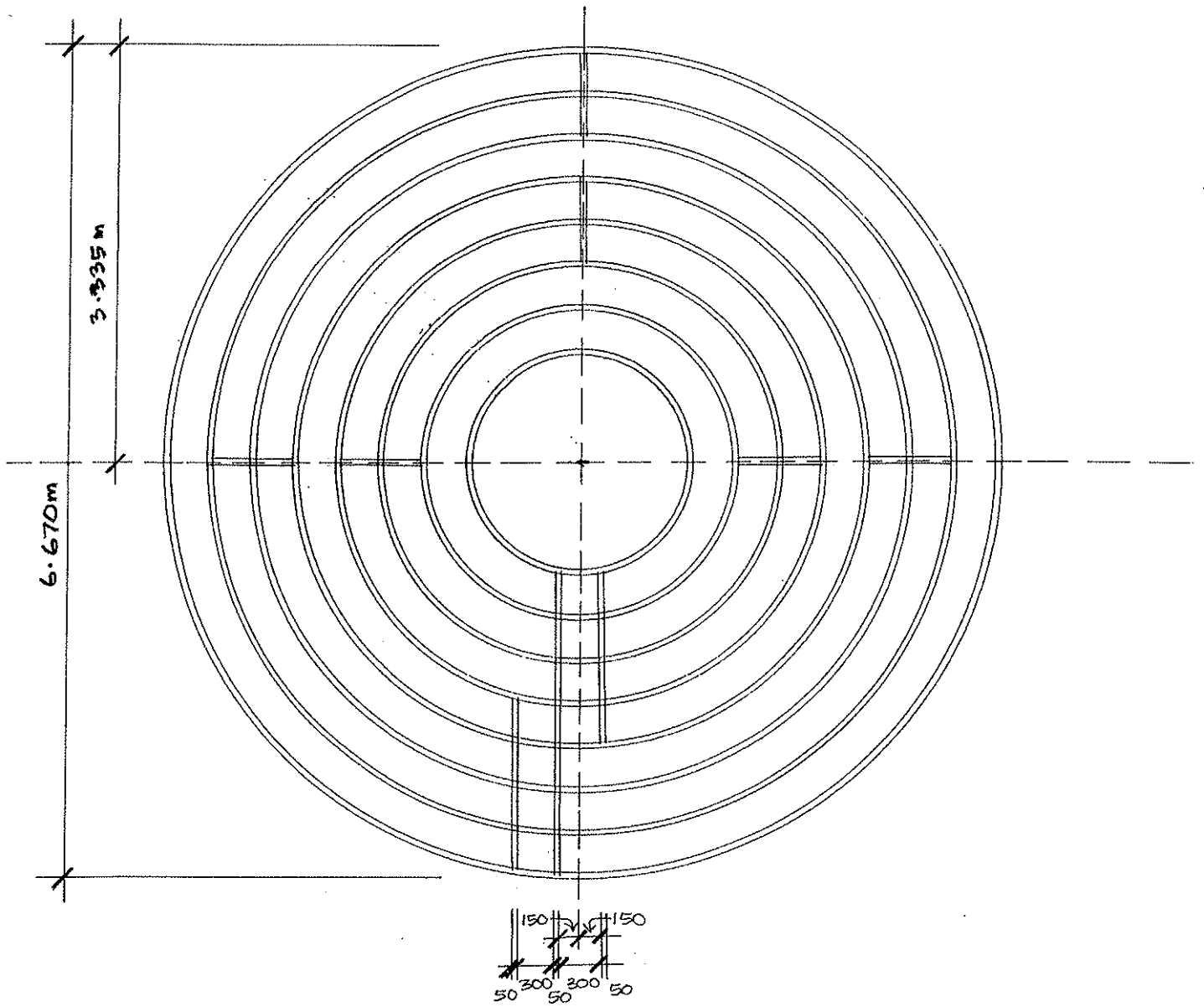
7 CIRCUIT CHARTRES LABYRINTH

Geoffrey J Rodda 6 Boathaven Grove San Remo Victoria
Phone 56785638 Mobile 0408 138 065 Email grodabdav@iprimus.com.au



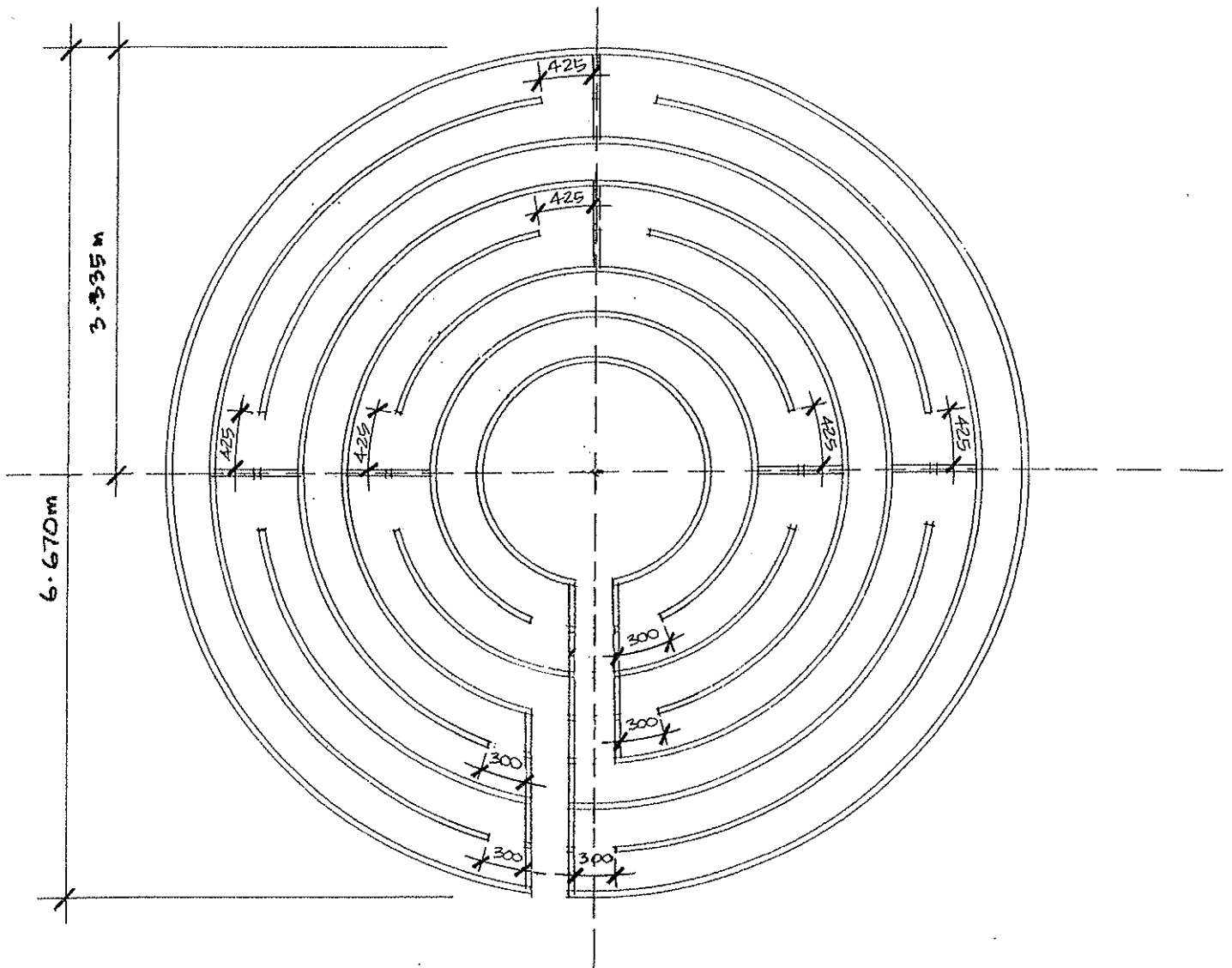
STEP 1:

USING THE LABYRINTH SET-OUT DEVICE, DRAW THE CONCENTRIC CIRCLES ONTO THE CANVAS, USING THE DIMENSIONS SHOWN. YOU WILL NEED TO WEIGH DOWN THE CENTRE BLOCK USING CIRCULAR STEEL WEIGHTS, TO PREVENT IT MOVING DURING THIS PROCESS.



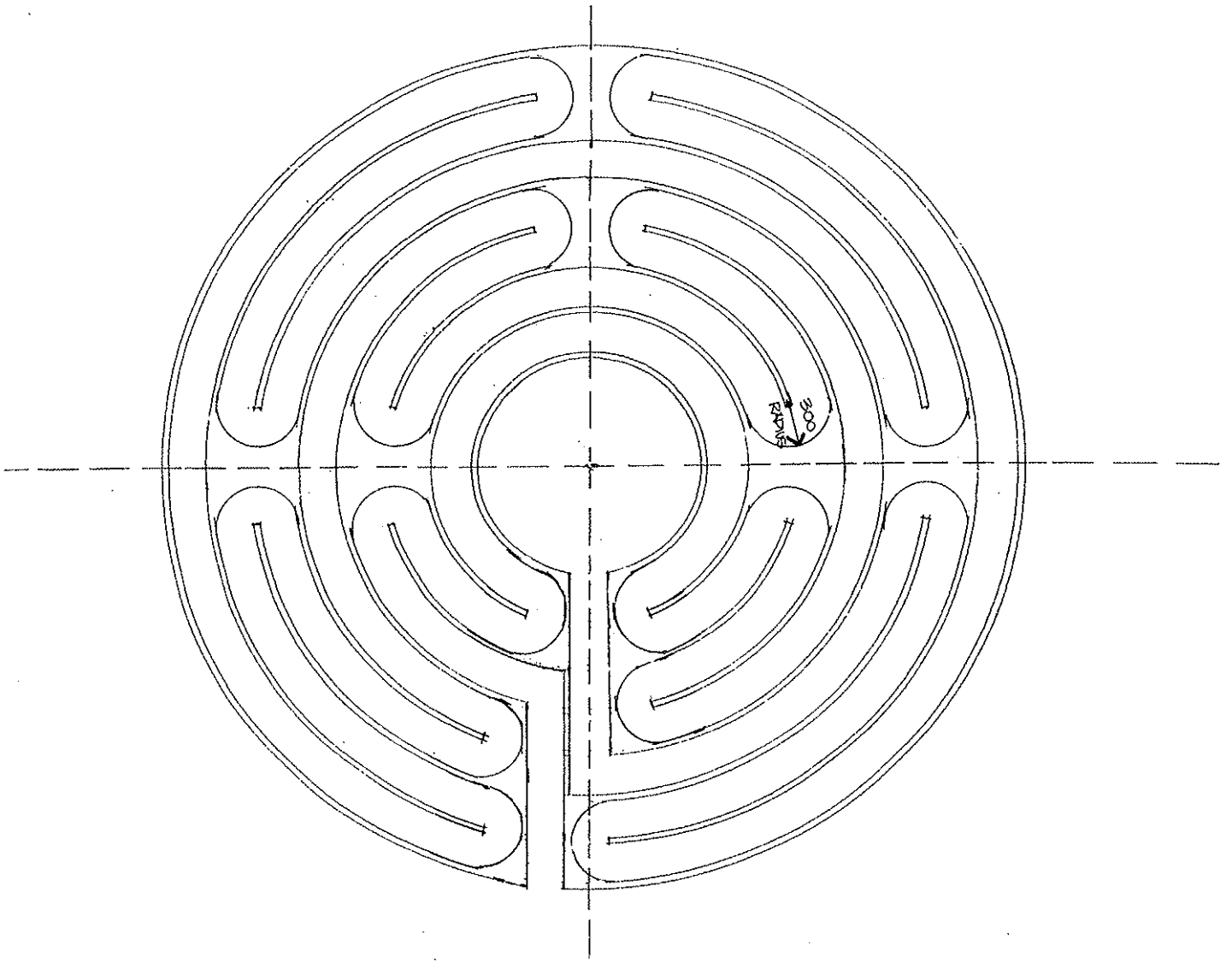
STEP 2:

1. LOCATE THE 4 COMPASS POINTS (SHOWN DOTTED.)
2. USING A STRAIGHT EDGE, DRAW IN THE STRAIGHT LINES (50 MM WIDE) AT THE TURNING POINTS AND THE ENTRY/EXIT POINTS TO THE DIMENSIONS SHOWN.



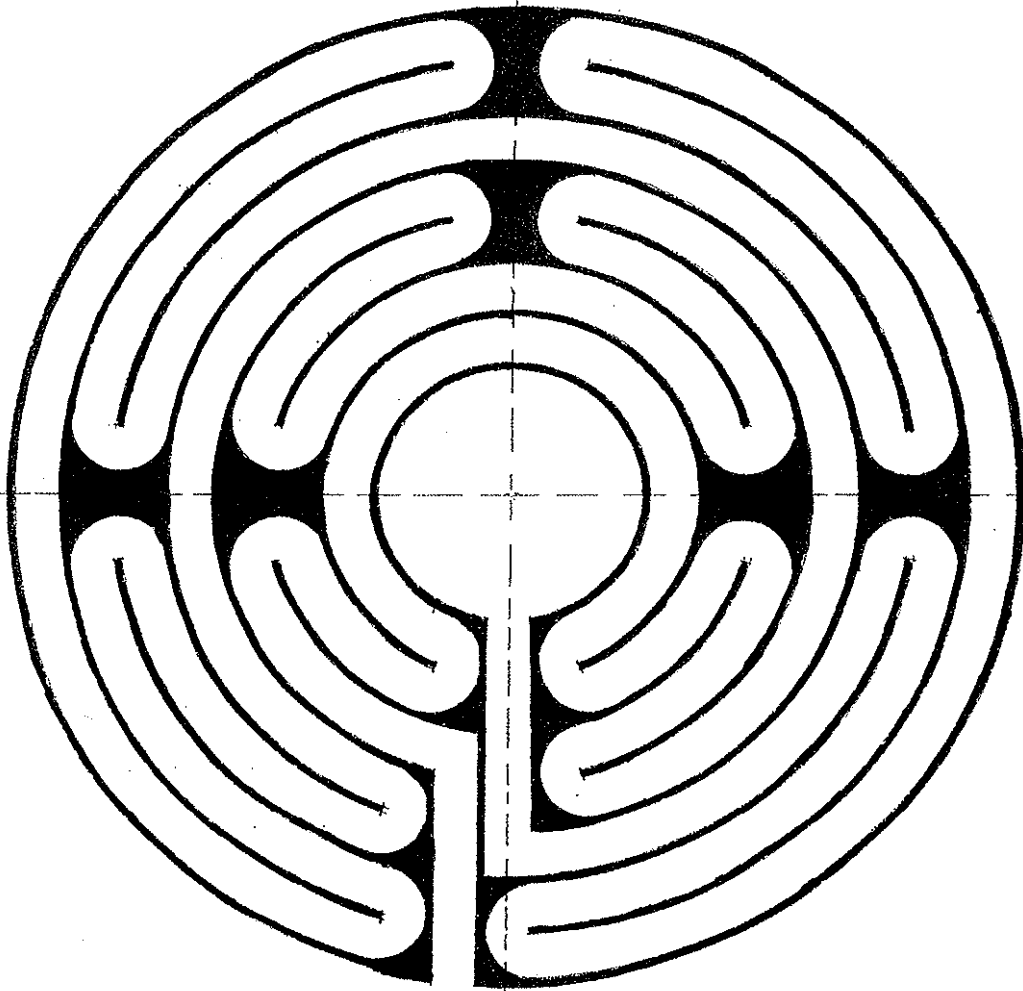
STEP 3:

1. ERASE THE LINES WHERE INDICATED TO CREATE THE TURNS.



STEP 4 :

USING A TEMPLATE MADE FROM CARDBOARD FOAM CORE BOARD OR SIMILAR (ART SUPPLIES OUTLET) DRAW IN THE 300MM RADIUS TURNS.



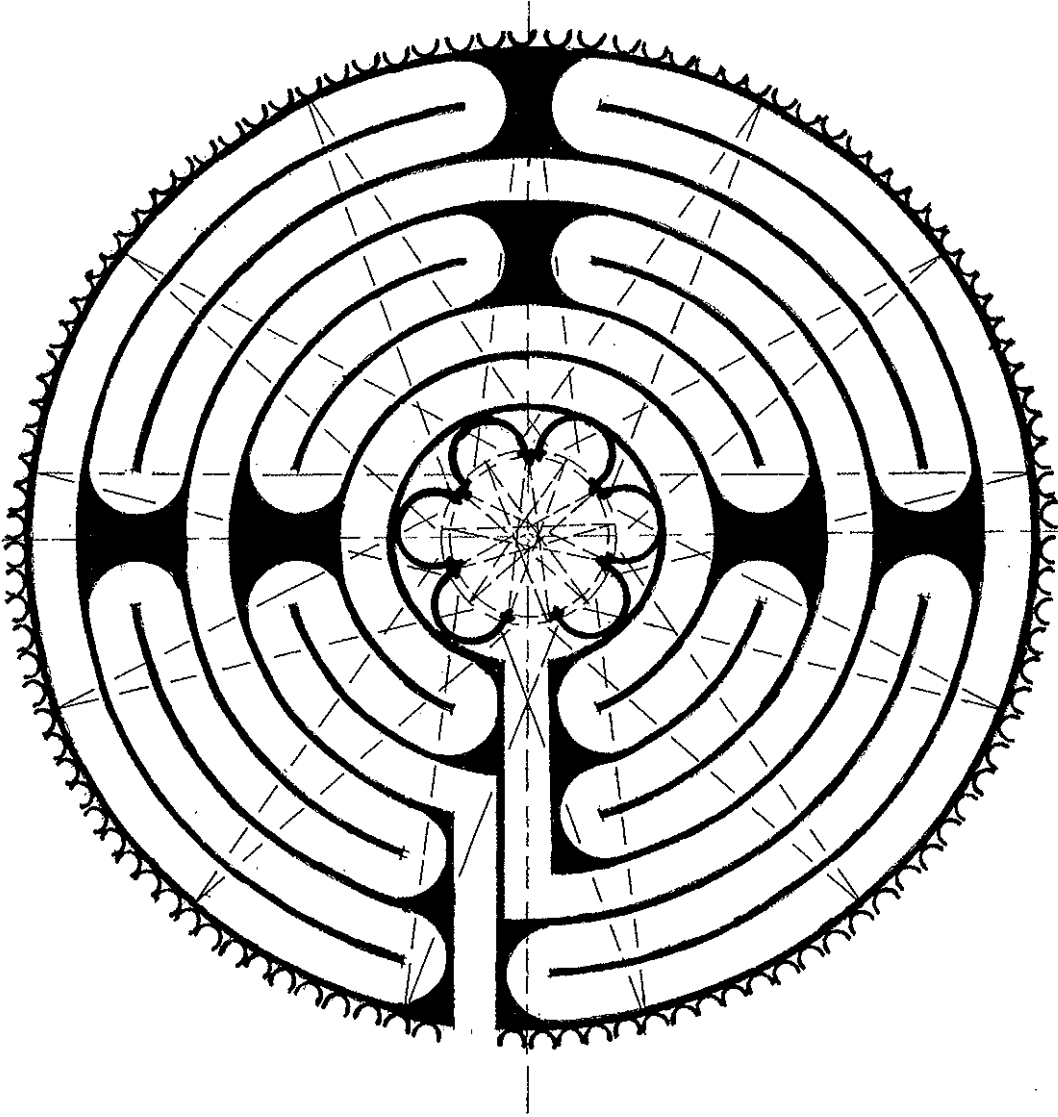
STEP 5:

1. USING MASKING TAPE, OR SIMILAR, MASK OUT EACH SIDE OF THE 50 MM WIDE LINES. THEN PAINT THE LABYRINTH PATTERN, USING THE SELECTED PAINT COLOUR.

NOTE:

BEFORE CREATING THE GRACE CATHEDRAL LABYRINTH, LAUREN A TREES OBSERVED THAT IT SEEMED APPROPRIATE TO CREATE A WIDER "STEPPING ASIDE" SPACE AT THE TURNS.

IF YOU DO NOT WANT TO HAVE THIS WIDER AREA, THEN SIMPLY ADJUST THESE DIMENSIONS TO BE THE SAME AS THE ENTRY/EXIT TURN DIMENSIONS (SEE STEP 3)

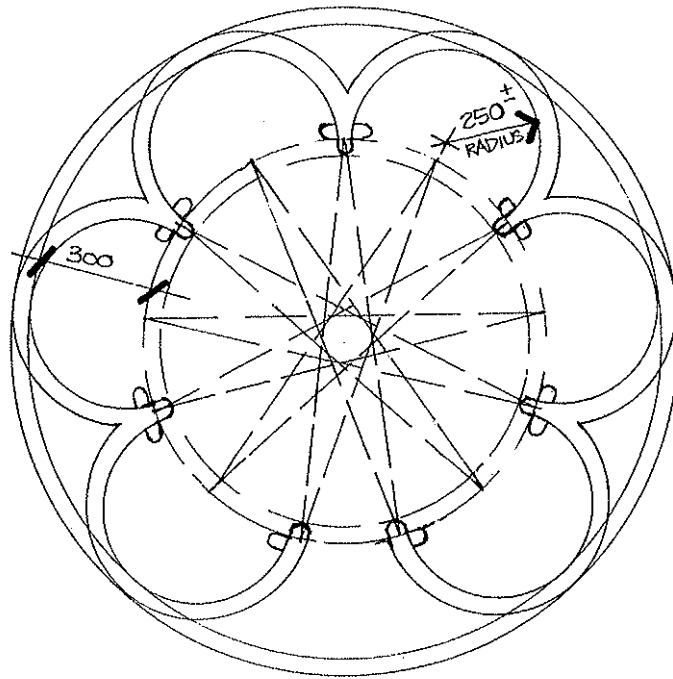


STEP 6 :

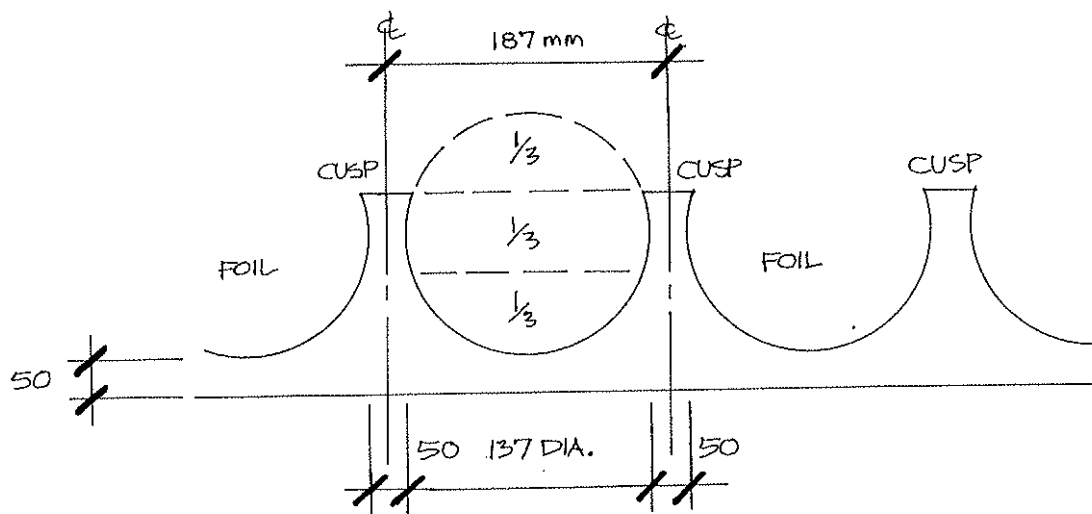
1. DRAW IN & COLOUR THE 6 CENTRE PETALS AND THE 112 FOILS AROUND THE OUTSIDE, BASED ON THE DETAILS ENCLOSED & THE ACCOMPANYING CALCULATIONS.

NOTE:

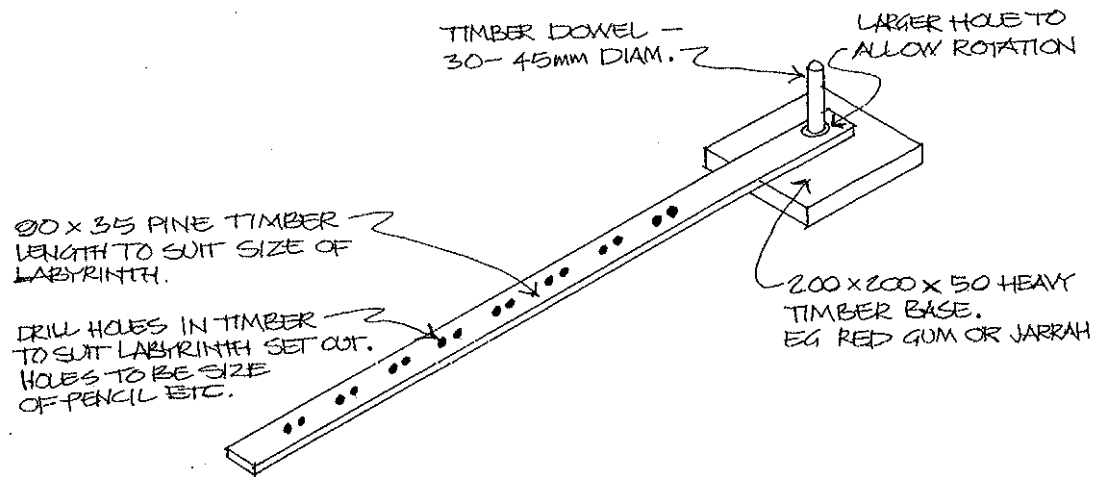
TO DRAW THE 6 PETALS YOU WILL FIRST HAVE TO DRAW THE INNER DOTTED CIRCLE & THE 13 POINTED STAR.



DETAIL OF PETALS SCALE 1:20



DETAIL OF LUNATIONS



LABYRINTH SET-OUT DEVICE

DIMENSIONS AND CALCULATIONS

- PATH WIDTH - 300 MM
- LINE WIDTH - 50MM
- CENTRE - 1670 MM
- OVERALL DIAMETER - 6.670 METRES
- CIRCUMFERENCE - OUTER CIRCLE - 20.95 METRES
- 13 POINT STAR SPACING (OUTER CIRCLE) 1.61 METRES
- LUNATIONS - 112 FOLDS AT 187 MM CENTRE TO CENTRE
- CIRCUMFERENCE - INNER (DOTTED) CIRCLE - 3.36 METRES
- 13 POINT STAR SPACING - 256 MM